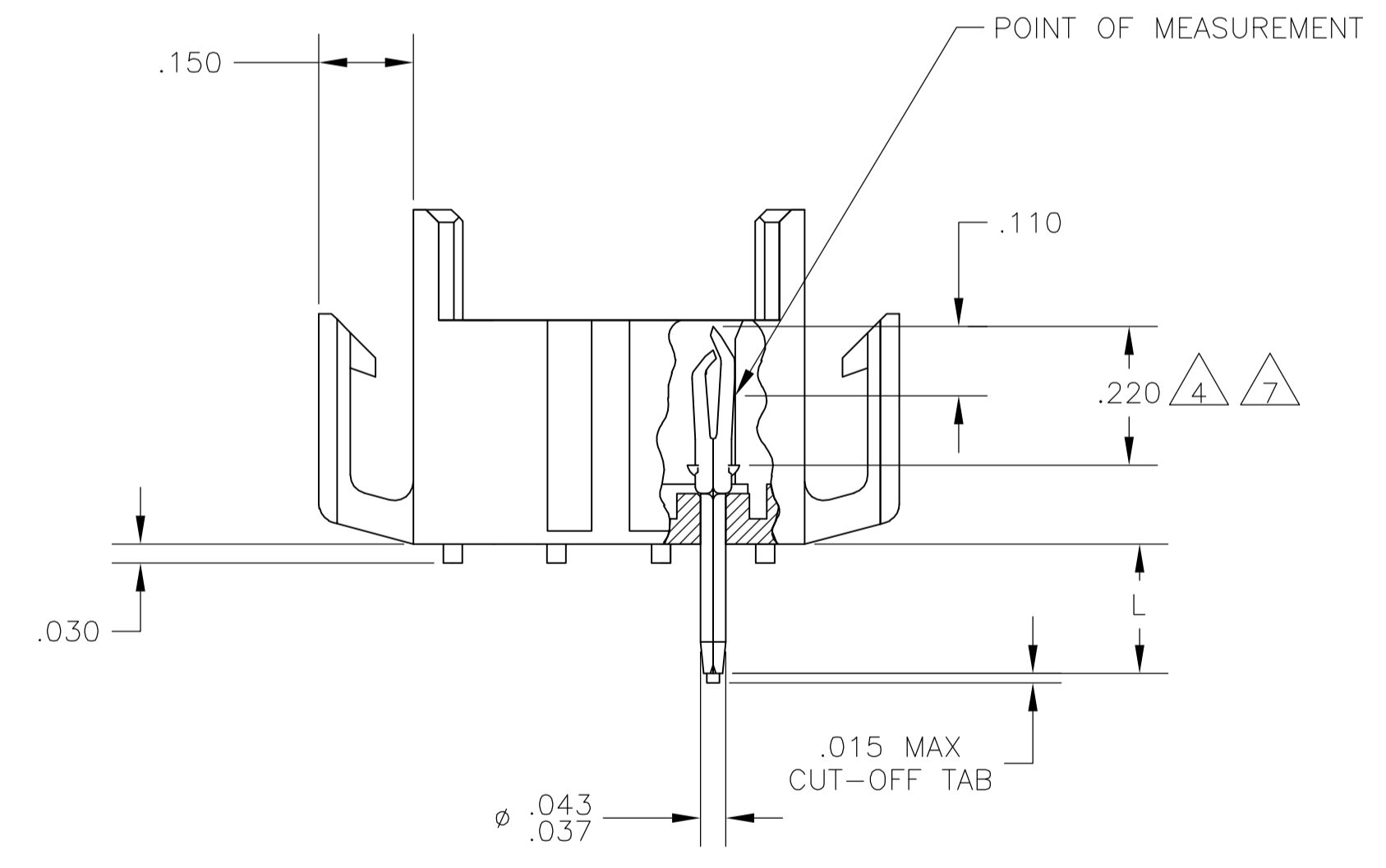
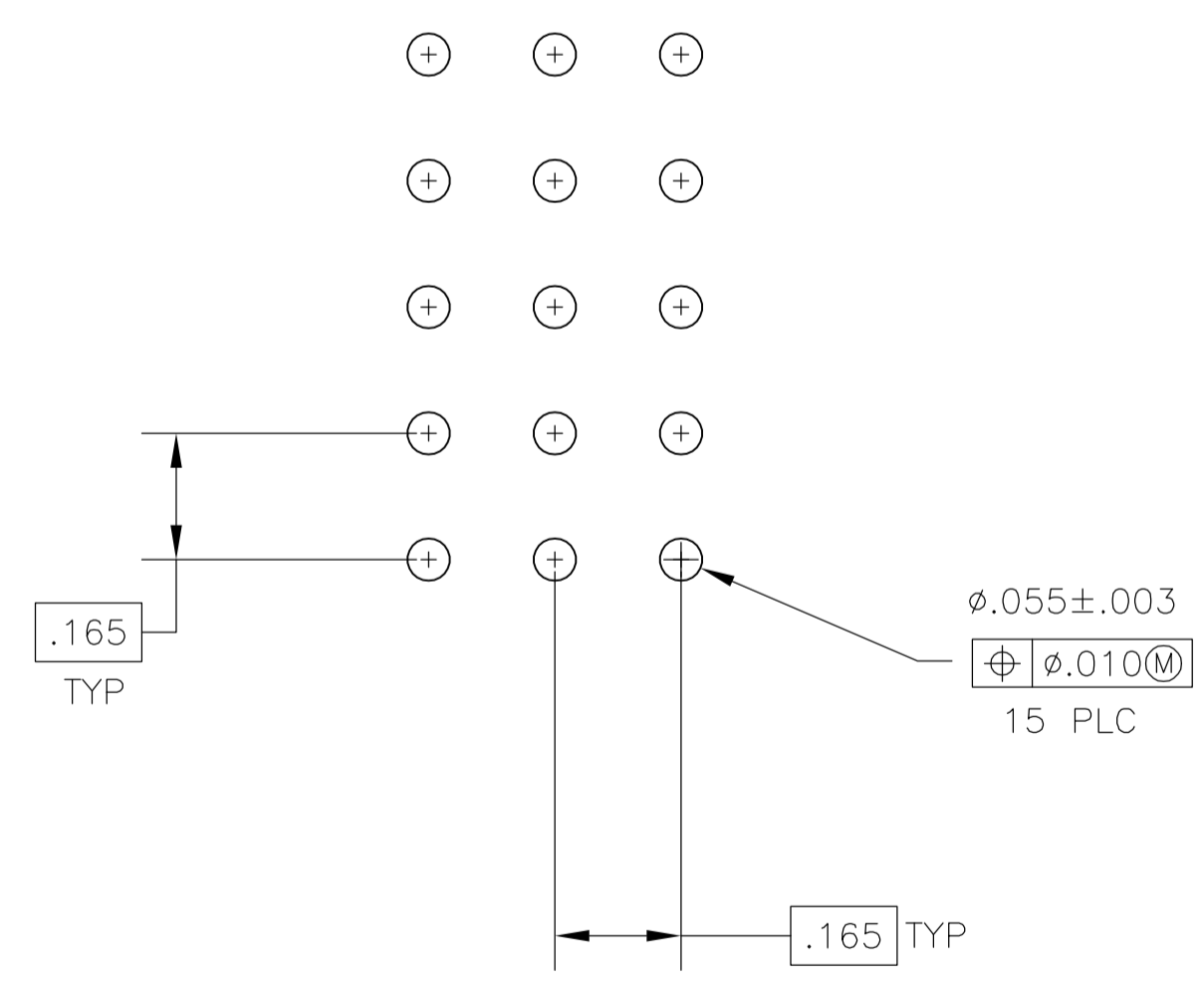


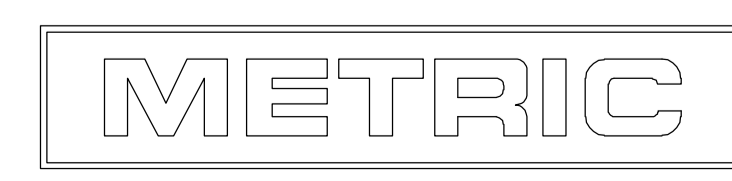
1. FITS SOCKET HOUSING 640523.
2. ASSEMBLY CONFORMS TO AMP SOLDERABILITY SPEC. 109-11-3.
3. FOR USE WITH .063 THICK P.C. BOARD.
4. CONTACT IS PLATED OVERALL WITH .000050 NICKEL, THEN .000030 GOLD OVER CONTACT LENGTH INDICATED AND .000150 MATTE TIN-LEAD ON SOLDER TAIL END.
5. UL AND CSA LOGO LOCATED ON THIS SURFACE.
6. FOR USE WITH .120 THICK P.C. BOARD.
7. CONTACT IS PLATED OVERALL WITH .000050 NICKEL, THEN .000030 GOLD OVER CONTACT LENGTH INDICATED AND .000150 MATTE TIN ON SOLDER TAIL END.



.210	6	BRICK RED	GOLD	7	2-640503-4
.150	3	BRICK RED	GOLD	7	2-640503-2
.210	6	BRICK RED	GOLD	4	640503-4
.210	6	BRICK RED	PRE-TIN		640503-3
.150	3	BRICK RED	GOLD	4	640503-2
.150	3	BRICK RED	PRE-TIN		640503-1
"L" +.010 -.020		HOUSING COLOR	PIN FINISH		PART NUMBER

.010	0.25	.055	1.40	.220	5.59	-	-
.008	0.20	.043	1.09	.210	5.33	-	-
.005	0.13	.037	0.94	.165	4.19	-	-
.003	0.08	.030	0.76	.150	3.81	.950	24.13
.000050	0.00127	.020	0.51	.110	2.79	.620	15.75
.000030	0.00076	.015	0.38	.063	1.60	.530	13.46
IN	MM	IN	MM	IN	MM	IN	MM

CONVERSION TABLE



THIS DRAWING IS A CONTROLLED DOCUMENT.

DIMENSIONS:	TOLERANCES UNLESS OTHERWISE SPECIFIED:	DWN	J. HUFFMAN	28 APR 98		Tyco Electronics Corporation
INCHES:		CHK	R. SWING	28 APR 98		Harrisburg, PA 17105-3608
	0 PLC ± -	APVD	T. REDDICK	28 APR 98	NAME	HEADER ASSEMBLY, PIN, 15 POSITION, MR.
	1 PLC ± -	PRODUCT SPEC			SIZE	A1
	2 PLC ± -	APPLICATION SPEC			CAE CODE	00779
	3 PLC ± .005	WEIGHT			DRAWING NO	640503
	4 PLC ± -	CUSTOMER DRAWING			SCALE	4:1
	ANGLES ± ± 0° 30'	RESTRICTED TO			SHEET	1 OF 1
MATERIAL	FINISH	REV			REV	R
HOUSING FLAME RETARDANT	SEE TABLE					
HOUSING UL 94V-0						
PIN .008 PH BRZ.						